

# ZUMRO

## AIR SHELTER SYSTEMS



### MODEL C-100

Part # 9413



Model C-100 is designed for emergency use such as rehab, triage, command, community events, and field workspace. It requires only one person to setup and is easy to reposition after deployment. It comes equipped with an adjustable neoprene connector sleeve that will accommodate full size SUV's.

- 100 Square Feet
- 2-Minute Auto-Deployment
- Light & Durable
- Scalable
- Multiple Colors



DEFENSE | EMERGENCY MANAGEMENT | FIRE & RESCUE | LAW ENFORCEMENT | HOSPITAL & EMS | PUBLIC HEALTH | INDUSTRIAL



800.932.6003  
ZUMRO.COM





# MODEL C-100

Part # 9413



## KEY PERFORMANCE FEATURES

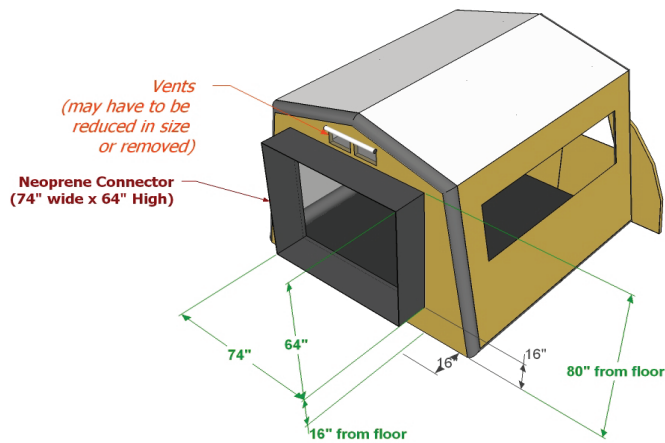
- Wind Rating (Sustained): 50 mph
- Wind Rating (Gust): 60 mph
- Rain/Snow Load: 750 GPM (104.25 lbs p/s)
- Operating Temperature Range: -60°F -140°F
- Operating Air Pressure: 4.5 PSI (Set by PR Valve)
- Minimum Air Pressure: 0.7 psi

### PACKED DIMENSIONS

Cube: 5.3 cu.ft.  
Length: 40 inches  
Width: 28 inches  
Height: 22 inches  
Shelter Weight: 90 pounds .

### DEPLOYED DIMENSIONS

Floor Space: 100 square feet  
Length: 10.2 feet  
Exterior Width: 11.3 feet  
Interior Width: 10 feet  
Exterior Height: 8.7 feet  
Interior Height: 8 feet



## RECOMMENDED OPTIONS AND ACCESSORIES

- Integrated LED Light Systems
- Rigid Door
- Identification Panels
- Storage Carts
- Climate Control
- Power Generation and Distribution

## UPGRADES AVAILABLE

- Berry Compliant
- Heavy Duty Canopy
- Extreme Duty Cover
- Insulation

